



## **16 x E1 120 Ohms (RJ45) to 75 Ohms (1.6/5.6 Female Connector) Converter**

---

Data Sheet & Product Brochure

**U.S.A.**

Valcomm Technologies Inc.  
4000 Ponce de Leon Blvd.,  
Suite 470, Coral Gables,  
FL 33146, U.S.A.

**E-mail:** [us@valiantcom.com](mailto:us@valiantcom.com)

**U.K.**

Valiant Communications (UK) Ltd  
Central House Rear Office,  
124 High Street, Hampton Hill,  
Middlesex TW12 1NS, U.K

**E-mail:** [gb@valiantcom.com](mailto:gb@valiantcom.com)

**INDIA**

Valiant Communications Limited  
71/1, Shivaji Marg,  
New Delhi - 110015,  
India

**E-mail:** [mail@valiantcom.com](mailto:mail@valiantcom.com)

**E1, 120 Ohms (RJ45) to E1, 75 Ohms  
(1.6/5.6 Female Connector) Converter  
19-Inch Rack Mount Version:**

**E1, 120 Ohms (RJ45) to E1, 75 Ohms (1.6/5.6 Female Connector) Converter**

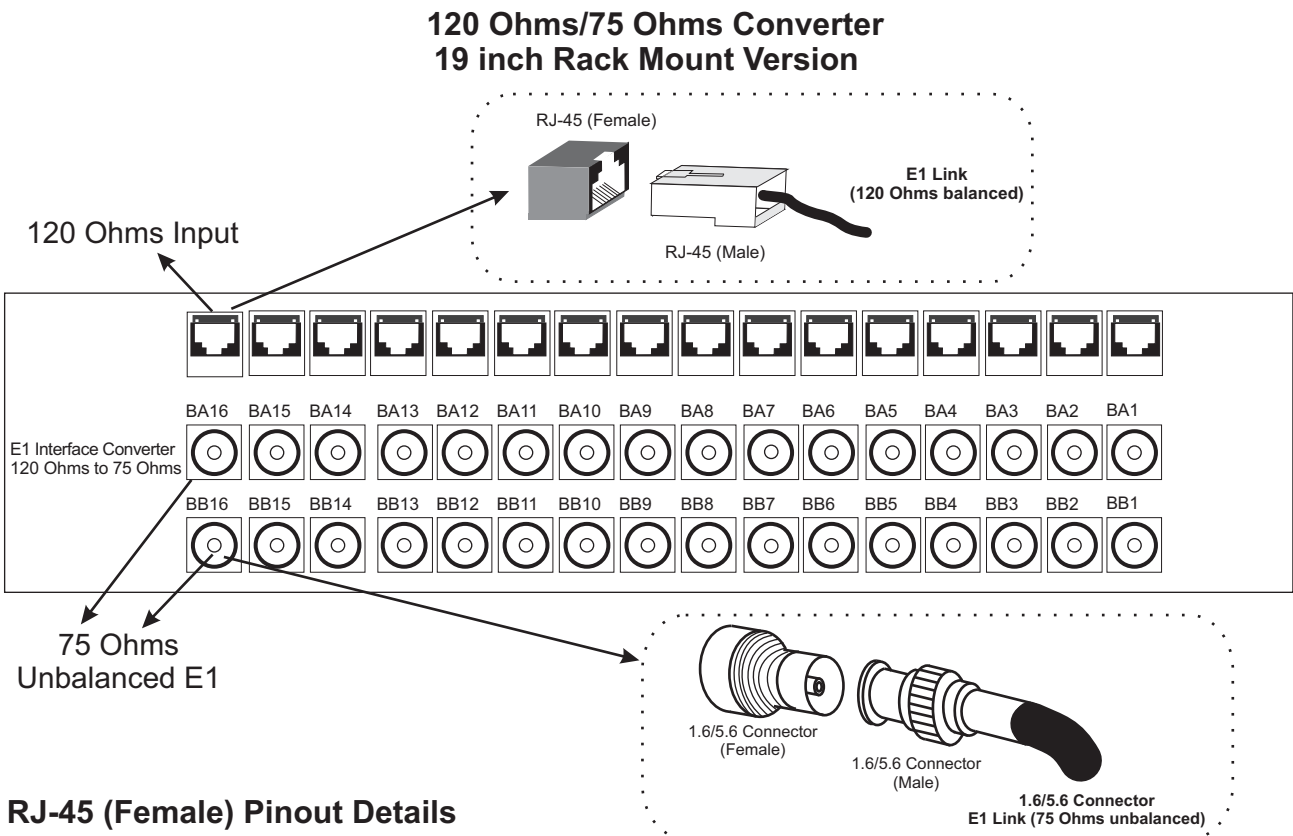
**What does it do?**

The E1, 120 Ohms (RJ45) to E1, 75 Ohms (1.6/5.6 Female Connector) Converter, may be used to convert up to 16, E1, 120 Ohms (RJ45) Interfaces to E1, 75 Ohms (1.6/5.6 Female Connector) Interfaces.

**Application Where is it used?**

The E1, 120 Ohms (RJ45) to E1, 75 Ohms (1.6/5.6 Female Connector) Converter, may be used in applications where the user requires to convert up to 16 (or fewer), E1, 120 Ohms (RJ45) Interfaces to 16 (or fewer) E1, 75 Ohms (1.6/5.6 Female Connector) Interfaces.

**Connecting / Converting an E1, 120 Ohms (RJ45) Interface to an E1, 75 Ohms (1.6/5.6 Female Connector) Interface.**

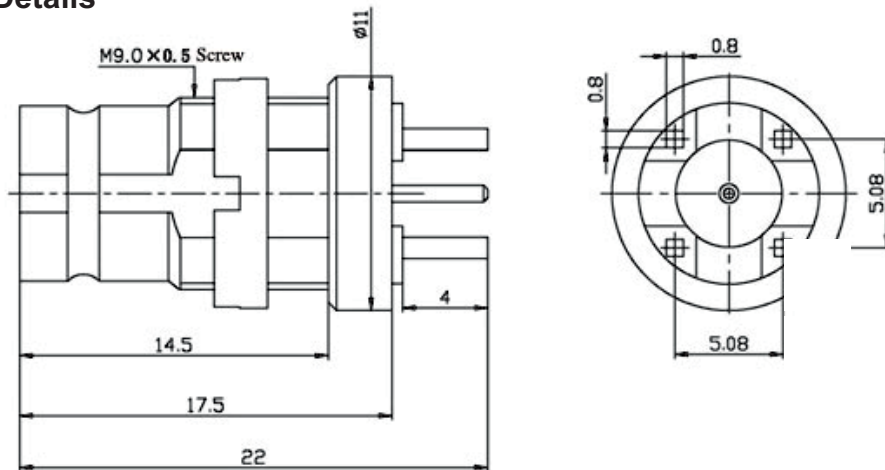


**RJ-45 (Female) Pinout Details**

RJ-45 (Female) Pin #	1.6/5.6 Connector (Female)
1	BA
2	BA
4	BB
5	BB



**Connector Details**



**Mechanical Drawing - Siemens - DIN 1.6/5.6 Female Connector**

**Material and Plating:**

Body	Brass, gold plated
Center contacts	Phosphor bronze, gold plated
Insulators	PTFE

**Electrical Characteristics:**

Characteristic impedance	75 Ohms
Working Voltage	335 VRMS max at sea level
Frequency range	0-1 GHz
Contact resistance initial value	Center contact: 4 Milliohms Max. Outer contact: 2 Milliohms Max.m
Dielectric withstanding voltage	1000 VRMS max at sea level
Insulator resistance	1000 Megohms min.

**Connector:**

Connector Type	Siemens - DIN 1.6/5.6 Female
Mating	M9x0.5 threaded coupling
Contact Retention	56 lbs. Min.
Durability (Mating)	500 cycles min. (For Beryllium copper Female contact only)

## Mechanical Specification

Rack Mounting	Standard 19 Inch. DIN Rack
Height	90 mm.
Width	45 mm.
Length	485 mm. (with mounting brackets)
Weight	1.4 kg.

## Ordering Information

16 x E1 120 Ohms to 75 Ohms (RJ45 to 1.6/5.6 Female Connector) Converter		
Part #	Product Description	Qty
VCL-1477-CONV-120-RJ45F-1.6_5.6F-16	16 x E1 120 Ohms to 75 Ohms Converter (RJ45 to 1.6/5.6 Female Connector)	1

Technical specifications are subject to changes without notice.  
Revision 5 - March 11, 2022

### U.K.

Valiant Communications (UK) Ltd  
1, Acton Hill Mews,  
310-328 Uxbridge Road,  
London W3 9QN, United Kingdom

E-mail: [gb@valiantcom.com](mailto:gb@valiantcom.com)

### U.S.A.

Valcomm Technologies Inc.  
4000 Ponce de Leon, Suite 470  
Coral Gables, FL 33146  
U.S.A.

E-mail: [us@valiantcom.com](mailto:us@valiantcom.com)

### INDIA

Valiant Communications Limited  
71/1, Shivaji Marg,  
New Delhi - 110015,  
India

E-mail: [mail@valiantcom.com](mailto:mail@valiantcom.com)