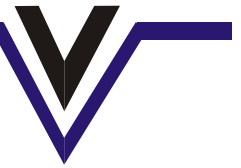


VALIANT COMMUNICATIONS LIMITED



VCL-SafeComm™ 16 T1 Links (48 T1 Ports) (1+1 Automatic Protection Switch)

Product Brochure & Data Sheet

INDIA

Valiant Communications Limited

71/1, Shivaji Marg, New Delhi - 110015, India
Phone: +91-11 4105 5601, +91-11 4105 5602,
+91-11 4105 5603, +91-11 2592 8415,
Fax: +91-11 4105 5604, +91-11 2543 4300
E-mail: getinfo@valiantcom.com
Website: <http://www.valiantcom.com>

U.K.

Valiant Communications (UK) Ltd

1, Acton Hill Mews, 310-328 Uxbridge Road,
London W3 9QN
United Kingdom
E-mail: uk@valiantcom.com
Website: <http://www.valiantcom.com>

U.S.A.

Valcomm Technologies Inc.

4000 Ponce de Leon, Suite 470
Coral Gables, FL 33146
United States of America
E-mail: fl@valiantcom.com
Website: <http://www.valiantcom.com>

U.A.E.

Valiant Communications FZE

P.O. Box No. 121523 SAIF Zone,
Sharjah,
U.A.E.
E-mail: uae@valiantcom.com
Website: <http://www.valiantcom.com>

Features & Highlights:

- These ensure that mission critical voice, data, control and management traffic are properly supported and maintained even during T1 backhaul facility outages. When the primary (working) link fails, the T1 traffic is automatically switched to the standby (secondary) link to ensure maximum uptime.
- Through the comprehensive remote configuration and alarm management capabilities of the VCL-SafeComm, 16 T1, 1+1 Automatic Protection Switching Equipment the product may be used to improve network reliability and control
- Traffic Protection
- Alternate Facility Advantages
- Service Differentiation Agreements
- Increased Network Reliability Resilience
- Media and Path Diversity
- Remote Management
- Alarm logging and monitoring.
- Dual -48V DC Power Inputs. Allows the User to power the equipment from redundant (two) -48V DC power sources.

Benefits:

Customer Relations

- Competitive
- Service Level
- Back-haul Network
- Technology Migration
- User Programmable 1+1 Protection criterion:
 - a) Loss of Signal
 - b) AIS (All Ones Alarm)
 - c) Dry Relay Contact (External Trigger version)
- User programmable switching time from Main link to Standby link
- User programmable Recovery Parameters:
 - a) Recovery stay on Standby Port
 - b) Programmable recovery time from Standby to Main link when the Main link restored.

Salient Features:

- VCL-SafeComm 1+1 Protection Switch does not "add" a point-of-failure to the T1 network.
- Even in the event that the power to the VCL-SafeComm 1+1 Protection Switch (or the equipment itself) fails, the T1 link connectivity shall be "always" maintained." The T1 link integrity is ALWAYS maintained (the switch reverts the connection to the primary T1 link), even if the power to the equipment is disconnected and removed. This ensures that the T1 link connectivity is never lost.
- VCL-SafeComm 1+1 Protection Switch provides two power inputs and this allows the user to connect the switch to two separate independent -48V DC power sources to minimize the chances of any power failure occurring due to power outage.

Mode of Operation:

There are three modes in which the VCL-SafeComm T1, 1+1 Automatic Protection Switch can be configured to operate in:

1. AUTOMATIC SWITCHING MODE
2. EXTERNAL TRIGGER SWITCHING MODE
3. MANUAL SWITCHING MODE.

AUTOMATIC SWITCHING MODE:

The VCL-SafeComm can be configured to operate in an AUTOMATIC SWITCHING MODE. In the automatic mode, the switch shall automatically switch and re-route the T1 circuits from the MAIN route to the STANDBY route if there is an AIS or a LOS (LOSS OF SIGNAL) alarm, on the MAIN T1 link route.

Similarly, in the automatic mode the switch shall automatically switch back and re-route the T1 circuits from the STANDBY route to the MAIN route, upon the restoration of the service on the MAIN T1 link route.

All switching parameters and link restoration parameters are user programmable.

EXTERNAL TRIGGER SWITCHING MODE:

Sometimes the user wants to switch the T1 circuits between the MAIN route and the STANDBY route when some external event occurs.

In the EXTERNAL TRIGGER MODE, the user can switch between the MAIN T1 route and the STANDBY T1 route when an external trigger (such as an closed/opened physical contact) is applied to the switch.

This unique feature is used by certain radios equipment suppliers, where they apply an external trigger to switch and re-route the T1 circuits between their main T1 radios and standby T1 radios.

MANUAL SWITCHING MODE:

In Manual Switching Mode, the user shall use manual Telnet commands to switch the T1 circuits between the MAIN route and the STANDBY route, manually, using Telnet commands.

In this mode the AUTOMATIC MODE and the EXTERNAL TRIGGER MODE are both disabled and the manual commands over ride all other modes.

Applications:

Providing 1+1 alternate paths between any two T1 Transmission mediums (active+standby). E.g.:

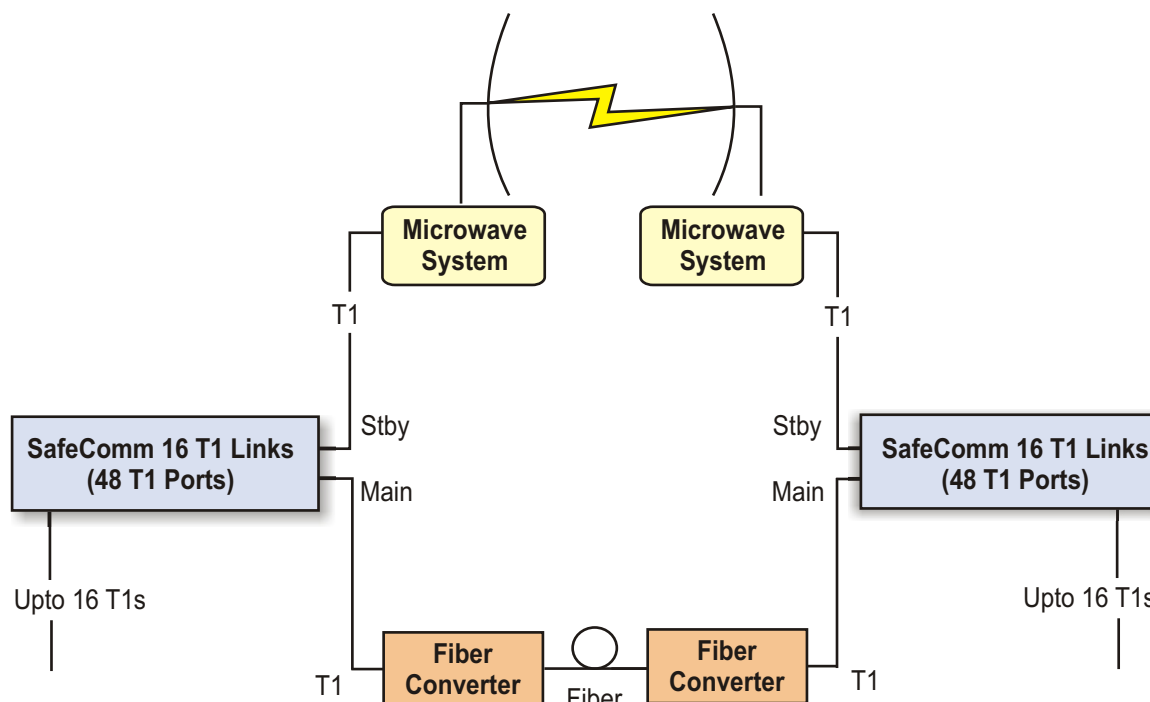
- Fiber/Fiber
- Radio/Fiber
- Radio/HDSL
- Fiber/HDSL etc.

Example: The user may deploy the VCL-SafeComm, 16 T1, 1+1 Automatic Protection Switching Equipment to provide an alternate communication route between an optical fiber link and a radio link between any two points. In the event of the failure of the primary (optical fiber) link the T1 is automatically switched to the alternate route over the T1 radio, thus ensuring maximum uptime on all such 1+1 protected T1 Links.

Once the primary (optical fiber) T1 Link on the optical fiber is restored, the VCL-SafeComm, 16 T1, 1+1 Automatic Protection Switching Equipment automatically restores the communication to the primary (optical fiber) T1 Link. The switching time and restoration criterion is user programmable.

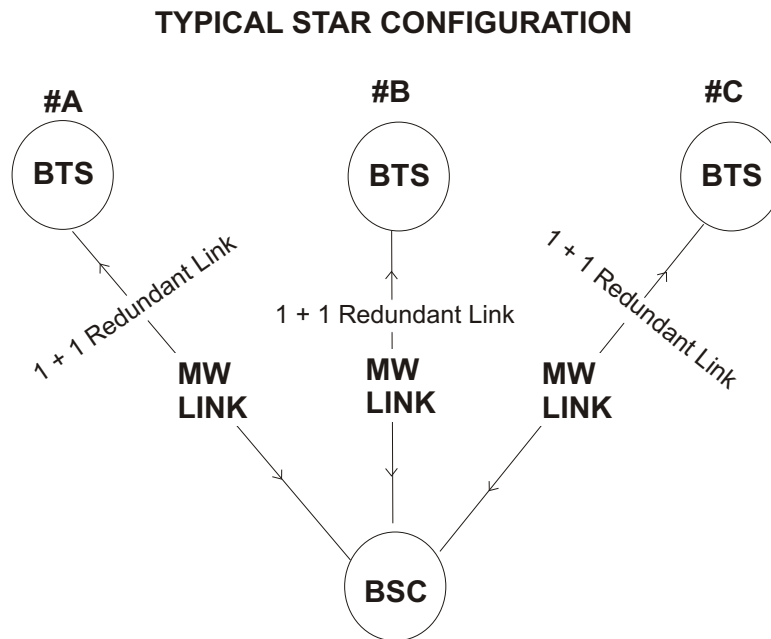
Application Diagram:

Figure (application) # 1



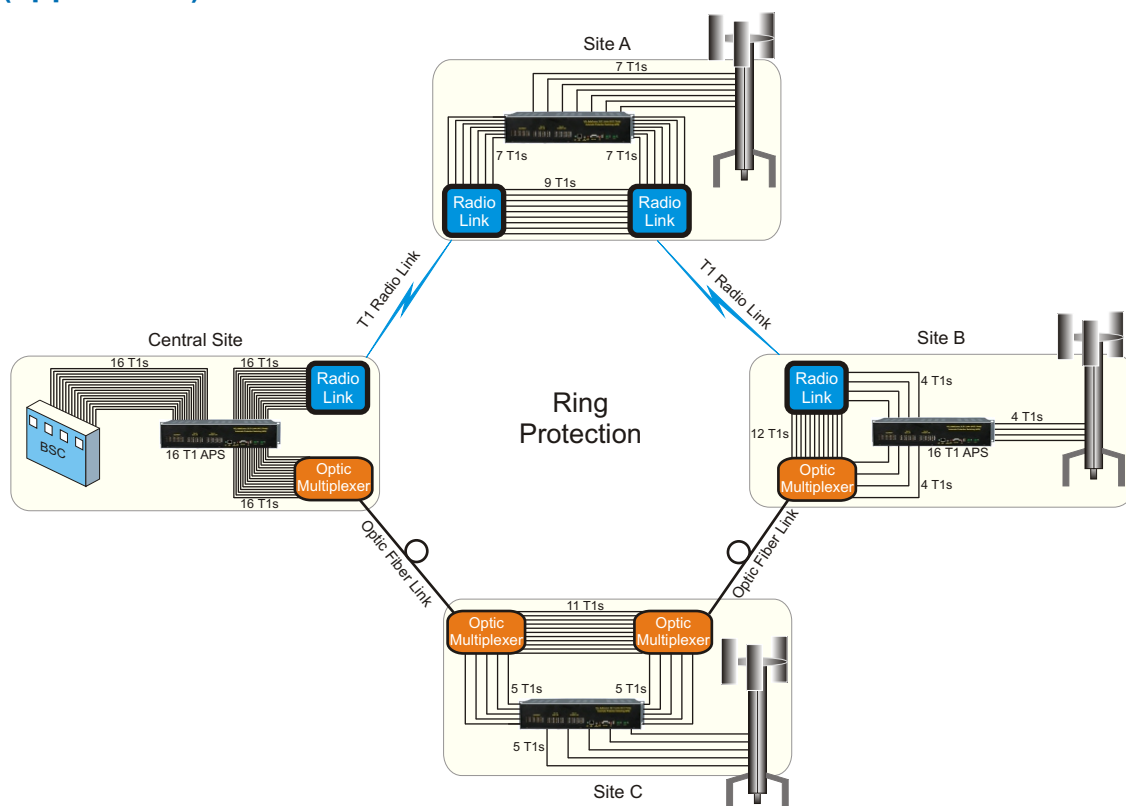
Point-to-Point Application: May be used in a point-to-point configuration to provide 1+1 Protected /Alternate Routing Path between any two points, using diverse (or similar) T1 transmission mediums.

Figure (application) # 2



Point-to-Multipoint Application: To provide 1+1 Redundant T1 Link(s) between a single (BSC) location and multiple (BTS) locations using diverse (or similar) T1 transmission mediums.

Figure (application) # 3



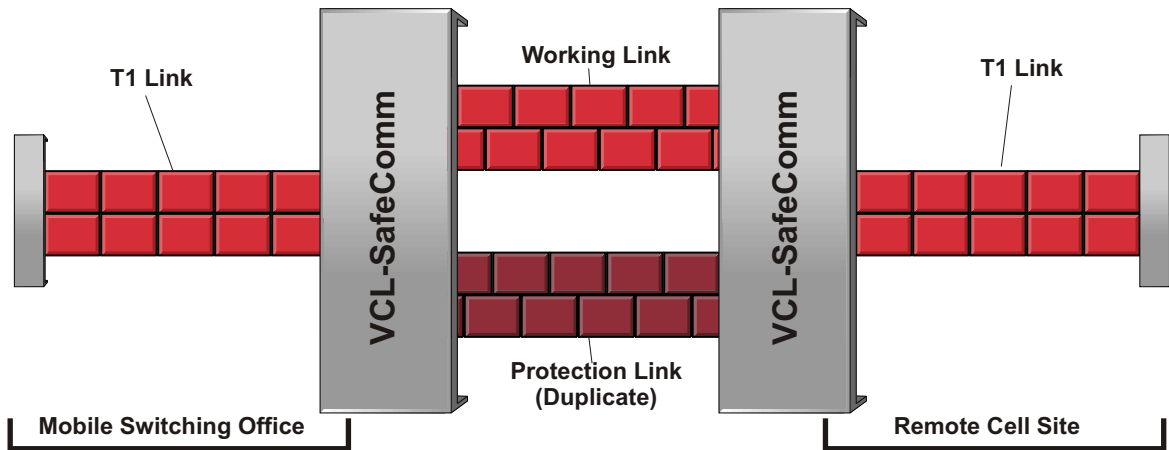
Application to provide resilient (protected) T1 rings over PDH networks:

The VCL-SafeComm may also be used in 1+1 redundant (protected) T1 rings on PDH networks using diverse (or similar) T1 transmission mediums.

How It Works - VCL-SafeComm™ (With Path Protection Switching)

During normal operation, VCL-SafeComm sends duplicate traffic across both the working and dedicated protection T1 facilities while continuously maintaining the performance of both links to determine which link shall be utilized.

Figure (application) # 4



Technical Specifications

T1 Interface:

Number of Interfaces	Total 48 T1 interfaces 16 for Main T1 Links 16 for Primary T1 Links 16 for Secondary T1 Links
Line Rate	T1 - 1.544 Mbps
Line Code	B8ZS, AMI (User Programmable)
Frame Structure	SF, ESF (Automatic Selection)
Bit Rate	1544 Kbps ± 50 ppm
Jitter Tolerance	As per ITU-T G.823
Output Jitter	< 0.05 UI (in the frequency range of 20 Hz to 100 KHz)
Pulse Mask	As per ITU (CCITT) Rec. G.703
Conformity (electrical)	G.703
Nominal Impedance	100 Ohms, balanced

T1 Switching Criterion and Time:

T1 Switching Criterion	User Programmable 1+1 Protection Criterion a) Loss of Signal b) AIS (All Ones Alarm)
Minimum T1 Switching Time from Main Link To Standby Link	10 milliseconds to 3000 ms. (User Programmable)
Minimum T1 (Recovery) Switching Time From Standby Link to Main Link	10 milliseconds to 9999 ms. (User Programmable)
Switching Mode	User can program the APS to stay on Standby Port a) Auto when the Main link is restored. b) Force ON Main c) Force ON Standby

Note: With “**External Trigger**” option it allows the user to switch between the “Main Link” and the “Standby Link” using an external dry contact input which can be an “OPEN” circuit or a “CLOSED” circuit input.

The “**External Trigger**” is user programmable and the user can configure the equipment to switch between the “Main Link” and the “Standby Link” when the external trigger circuit “Closes” or “Opens”.

The “**External Trigger**” option can also disabled through user executable software commands and the system can be made to work in either “Auto” or “Manual” switching mode.

Synchronization Clock:

Transparent between the two points of the T1 Links.

Management and Control Interfaces:

- Serial Management Port (RS232) - COM Port
- 10/100 BaseT for Remote Management over a LAN
- 10/100 BaseT Telnet over a TCP/IP Network

Specification and Regulation Compliance:

- Meets CE requirements
- Complies with FCC, Part 68 and Part 15 subpart A specifications
- Safety - UL 1459 Issue 2

Command Language:

Command Line Interface (English text commands)

Alarm Contact Closures:

1 Alarm Relay,
Type - Form "C" relay

Temperature:

Operating 0°C to 50°C
 Humidity 5% to 95% non-condensing

Dimensions and Weight:

Rack mounting	Standard 19-Inch. DIN Rack
Height	90.00 mm.
Depth	280.00 mm.
Width	480.00 mm.
Weight	4.20 kg.

AC Power Supply Specifications:

Output voltage of AC Adapter	100 - 240 Volt AC
Range of input AC voltage	100V to 240V AC, 50Hz / 60Hz.
System input voltage	7.5V DC to 9.0V DC, DC input polarity protection
Maximum full load output current	2.5 A at 7.5V DC / 9.0V DC
Input voltage reversal protection	Provided in the Card
Efficiency at full load	> 90%

DC Power Supply Specifications:

Input DC voltage - Dual Input	- 48V DC (nominal)
Range of input voltage	- 40V to - 60V DC
System voltage	3.3V
Input voltage reversal protection	Provided in the Card
Short circuit protection	Provided
Power Consumption	≤ 10W

Ordering Information:

S. No.	Part No.	Product Description	Qty.
1.	VCL-1431-APS-16/48T1-DC	16 T1 Links APS - 48 T1 Ports Automatic Protection Switching 19-inch Rack Mount, operates on (-48V DC) DC powered version.	1
2.	VCL-1431-APS-16/48T1-AC	16 T1 Links APS - 48 T1 Ports Automatic Protection Switching 19-inch Rack Mount, operates on (7.5V DC) AC powered version.	1
3.	VCL-1431-APS-16/48T1-T-DC	16 T1 Links APS - 48 T1 Ports Automatic Protection Switching with External Trigger input 19-inch Rack Mount, operates on (-48V DC) DC powered version.	1
4.	VCL-1431-APS-16/48T1-T-AC	16 T1 Links APS - 48 T1 Ports Automatic Protection Switching with External Trigger input 19-inch Rack Mount, operates on (7.5V DC) AC powered version.	1

Technical specifications are subject to changes without notice.

Windows is the registered Trademark of Microsoft Corporation, USA.

Revision 07 - May 05, 2010

INDIA**Valiant Communications Limited**

71/1, Shivaji Marg, New Delhi - 110015, India
Phone: +91-11 4105 5601, +91-11 4105 5602,
+91-11 4105 5603, +91-11 2592 8415,
Fax: +91-11 4105 5604, +91-11 2543 4300
E-mail: getinfo@valiantcom.com
Website: http://www.valiantcom.com

U.K.**Valiant Communications (UK) Ltd**

1, Acton Hill Mews, 310-328 Uxbridge Road,
London W3 9QN
United Kingdom
E-mail: uk@valiantcom.com
Website: http://www.valiantcom.com

U.S.A.**Valcomm Technologies Inc.**

4000 Ponce de Leon, Suite 470
Coral Gables, FL 33146
United States of America
E-mail: fl@valiantcom.com
Website: http://www.valiantcom.com

U.A.E.**Valiant Communications FZE**

P.O. Box No. 121523 SAIF Zone,
Sharjah,
U.A.E.
E-mail: uae@valiantcom.com
Website: http://www.valiantcom.com